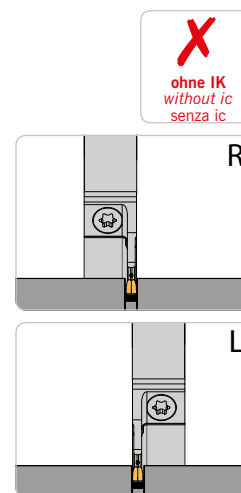
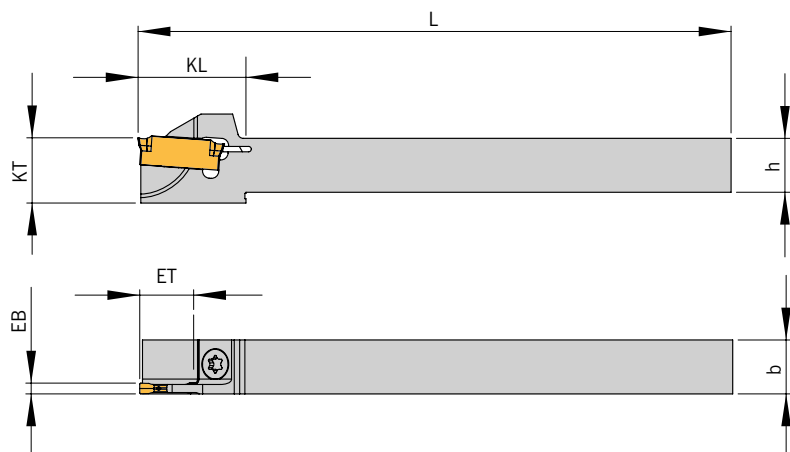


HSA



Rechte Ausführung abgebildet
Right-hand execution shown
Versione destra in figura

Für Langdrehautomaten For sliding head auto lathes Per fantina mobile

Bezeichnung Designation Articolo	EB	ET	D _{max}	D _R	h	b	L	KL	KT	PG 37	Schneideinsatz Insert Inserto	Neuerung News Novità
HSA 0808L-SA16015-12	1,5	6	12	-	8	8	110	16,0	10	●	SA16-15...	Erweiterung Standardprogramm Expansion of standard programme Ampliamento programma standard
HSA 0808R-SA16015-12	1,5	6	12	-	8	8	110	16,0	10	●	SA16-15...	
HSA 0808L-SA16015-16	1,5	8	16	-	8	8	110	18,0	10	●	SA16-15...	
HSA 0808R-SA16015-16	1,5	8	16	-	8	8	110	18,0	10	●	SA16-15...	
HSA 1010L-SA16015-20	1,5	10	20	-	10	10	110	20,0	12	●	SA16-15...	
HSA 1010R-SA16015-20	1,5	10	20	-	10	10	110	20,0	12	●	SA16-15...	
HSA 1212L-SA16015-20	1,5	10	20	-	12	12	110	19,5	-	●	SA16-15...	
HSA 1212R-SA16015-20	1,5	10	20	-	12	12	110	19,5	-	●	SA16-15...	
HSA 1212L-SA24015-26	1,5	13	26	-	12	12	110	22,5	-	●	SA24-15...	
HSA 1212R-SA24015-26	1,5	13	26	-	12	12	110	22,5	-	●	SA24-15...	
HSA 1212L-SA24025-26	2,5	13	26	-	12	12	110	22,5	-	●	SA24-25...	
HSA 1212R-SA24025-26	2,5	13	26	-	12	12	110	22,5	-	●	SA24-25...	
HSA 1212L-SA24025-32	2,5	16	32	-	12	12	110	26,0	16	●	SA24-25...	
HSA 1212R-SA24025-32	2,5	16	32	-	12	12	110	26,0	16	●	SA24-25...	
HSA 2020L-SA1603-26	3,0	13	26	-	20	20	110	22,5	-	●	SA16-30...	
HSA 2020R-SA1603-26	3,0	13	26	-	20	20	110	22,5	-	●	SA16-30...	

D_{max} = Maximaler Durchmesser bei Vollmaterial
D_{max} = Maximum diameter in solid
D_{max} = Diametro massimo lavorazione dal pieno

Ersatzteile / Spare parts / Ricambi

Halter Holder Stelo	Schraube Screw Vite	Schlüssel Key Chiave
HSA 0808...	AS 0022-12	KS8000
HSA 1010... - 2020...	AS 0022	KS8000